

BaBylissPRO®

FX3

Operating Instructions
CORD/CORDLESS
DOUBLE FOIL
SHAVER

Model FXX3S



FX3

Manual de instrucciones

AFEITADORA DE
DOBLE HOJA

CON/SIN CABLE

Directives d'utilisation

RASOIR DOUBLE

LAME AVEC/SANS FIL

Modelo/Modèle

FXX3S



Para su seguridad y para disfrutar plenamente de este producto,
siempre lea las instrucciones cuidadosamente antes de usarlo.
Afin que votre appareil vous procure en toute sécurité beaucoup de
satisfaction, lire attentivement le mode d'emploi avant de l'utiliser.

BaBylissPRO®

IMPORTANT SAFETY INSTRUCTIONS

When using electrical appliances, especially when children are present, basic safety precautions should always be taken, including the following:

READ ALL INSTRUCTIONS BEFORE USING *KEEP AWAY FROM WATER*

DANGER — Any appliance is electrically live, even when the switch is off. To reduce the risk of death or injury by electric shock:

1. **Always unplug appliance from electrical outlet immediately after using (except when charging unit).**
2. Do not place or store appliance where it could fall or be pulled into a tub or sink.
3. Do not use appliance while bathing or in the shower.
4. Do not place appliance in or drop into water or other liquids.
5. **If appliance has fallen into water, do not reach for it. Unplug immediately.**
6. Unplug this appliance before cleaning.

WARNING — To reduce the risk of burns, electric shock, fire, or injury to persons:

1. Keep the appliance dry.
2. **Except when charging, this appliance should never be left unattended when plugged in.**
3. This appliance is not intended for use by persons (including children) with reduced physical, sensory or mental capabilities, or lack of experience and knowledge, unless they have been given supervision or instruction concerning use of the appliance by a person responsible for their safety. Children should be supervised to ensure that they do not play with the appliance.
4. Use appliance only for its intended use as described in this manual. Use only attachments recommended by the manufacturer. Do not use an extension cord to operate the appliance.

5. **Never operate the appliance if it has a damaged cord or plug, is not working properly, has been dropped or damaged, or has been dropped into water. Return the appliance to a BaBylissPRO Service Center for examination and repair.**
6. Keep the appliance cord away from heated surfaces.
7. Do not pull, twist or wrap the cord around the appliance.
8. Keep the air openings free of lint, hair, and similar objects.
9. Never drop or insert any object into any opening on the appliance.
10. Do not place the appliance on any surface while it is operating.
11. Do not use this appliance with a damaged or broken foil or cutter, as injury to skin may occur.
12. Do not use the appliance outdoors or where aerosol (spray) products are being used or where oxygen is being administered.
13. Do not crush, heat above 212° F (100° C) or incinerate the appliance, due to risk of fire, explosion or burns.
14. Always attach plug to appliance first, then to outlet. To disconnect, turn all controls to OFF (O) position then remove from outlet.
15. For the purpose of recharging the battery, only use the detachable charging cord provided with this appliance.

SAVE THESE INSTRUCTIONS OPERATING INSTRUCTIONS

1. **Before using the shaver for the first time, charge continuously for 3 hours. Maximum battery capacity will only be reached after 3 charging and discharging cycles.**
2. Make sure the switch on the shaver is in the OFF (O) position. Connect the charging jack into the receptacle on the bottom of the shaver. Plug the adapter into an electrical outlet that has the same voltage listed on the label affixed to the adapter. The charging indicator will run up to indicate that the charging has begun. When the battery is fully charged, the LED light will stop

running up and all 4 charging lights will remain alight. Charging is complete after 3 hours.

3. This product has 4 LED lights that indicate battery capacity when charging or discharging.
 - When all 4 lights are illuminated blue, it indicates 100% battery capacity.
 - When 3 lights are illuminated blue, it indicates 75% battery capacity.
 - When 2 lights are illuminated blue, it indicates 50% battery capacity.
 - When 1 light is illuminated blue, it indicates 25% battery capacity.
4. When the product is about to run out of battery, the last charging indicator light will flash to indicate that there is approximately 10 minutes use of battery capacity remaining.
5. The adapter may become warm while charging. This is normal.
6. Preserving the battery: In order to maintain the optimum capacity of the rechargeable battery, the shaver should be recharged for 3 hours approximately every 6 months.
7. Make sure the switch is in the OFF (O) position when the shaver is not operating.

WARNING: If all 4 charging lights light suddenly start to flash rapidly, the appliance is faulty. If this happens, please stop charging and remove the adapter from the outlet and contact our Customer Care Center for further advice (see the Warranty section of this information booklet).

FOR DIRECT PLUG-IN OPERATION

Make sure shaver is off. Connect charging jack into the receptacle at the bottom of shaver and plug the adapter into power outlet.

ON/OFF SWITCH

To operate, simply slide switch to the ON (I) position. To stop operation, set to the OFF (O) position.

VERY IMPORTANT: Cutters must be cleaned and oiled on a regular basis for proper functioning. Failure to regularly clean and oil the cutters will void the warranty.

BASIC INSTRUCTIONS FOR USE

1. Men whose skin is sensitive or easily irritated by shaving, or who suffer from a skin allergy, should test one section on the leg or arm before using the shaver on the face.
2. Remove the protective cover and turn on the unit to start shaving. Hold the shaver at a right angle to the area that you want to shave and run the double shaving foil carefully along your skin. Tip: In general, we recommend that you shave against the direction of hair growth, as this is the best way to trim the hair. Pull your skin tight with your fingers in inaccessible areas to achieve optimum results.
3. Switch the shaver off each time after shaving and clean it.
4. Do not push the shaver on the skin too hard, as it could cause irritation, make the shaver warm and prevent a perfect shave.
5. Please note that it takes 2 to 4 weeks for your skin to adapt to a shaver, so please do not change shaving instruments in this period of time.
6. If hair is longer than 1/32", begin by cutting the hair down first with a trimmer, then use shaver for a smooth close shave.

FEDERAL COMMUNICATIONS COMMISSION NOTICE

WARNING: Changes or modifications to this unit not expressly approved by the party responsible for compliance could void the user's authority to operate the equipment.

NOTE: This equipment has been tested and found to comply with the limits for a Class B digital device, pursuant to Part 15 of the FCC Rules. These limits are designed to provide reasonable protection against harmful interference in a residential installation. This equipment generates, uses and can radiate radio frequency energy and, if not installed and used in accordance with the instructions, may cause harmful interference to radio communications. However, there is no guarantee that interference will not occur in a particular installation. If this equipment does cause harmful interference to radio or television reception, which can be determined by turning the equipment off and on, the user is encouraged to try to correct the interference by one or more of the following measures:

- Reorient or relocate the receiving antenna.
- Increase the separation between the equipment and receiver.

- Connect the equipment into an outlet on a circuit different from that to which the receiver is connected.
- Consult the dealer or an experienced radio/TV technician for help.

SUPPLIER'S DECLARATION OF CONFORMITY

Brand: BaBylissPRO®

Model No.: FXX3S

Description: Shaver

Responsible Party: Conair Corporation,
1 Cummings Point Road
Stamford, CT 06902
(203) 351-9000

Standards: FCC Part 15 Subpart B, ANSI C63.4-2014

This device complies with Part 15 of the FCC Rules. Operation is subject to the following two conditions:

(1) This device may not cause harmful interference, and (2) This device must accept any interference received, including interference that may cause undesirable operation.

DATE OF ISSUE: 01/27/2021

USER MAINTENANCE INSTRUCTIONS

TAKING CARE OF YOUR SHAVER

Always switch the shaver off before removing the shaving foil unit!

Ensure that no water gets inside the shaver to avoid risk of electric shock when it is back in operation.

Never press on the cutting blades or the shaving foil and do not touch them with hard objects, as this can cause irreparable damage to the shaver or parts. Be careful when dealing with the blades, as they are very sharp and pose risk of injury! When cleaning, do not apply any detergents or scouring agents and

do not use any abrasive or sharp objects. They can cause irreparable damage to the shaver.

NOTE: When cleaning your shaver, make sure the unit is turned off.

CAUTION!

- DO NOT run shaver or cutters under water. Use only the small brush (included) to clean.
- To clean the external surfaces of the shaver, use a damp cloth. Do not use strong detergents or other chemicals.
- To dry, wipe the surface of the shaver with a dry towel. Do not use a hair dryer or heater to dry the shaver.
- The shaver should not be used until it has completely dried.
- For connection to power supply not in the U.S.A., use an attachment plug adapter of the proper configuration for power outlet. The included adapter automatically adjusts to the input voltage. **DO NOT USE A VOLTAGE CONVERTER.**

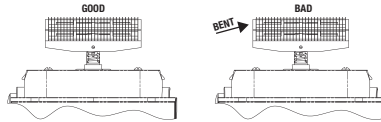
TO REPLACE FOIL HEAD ASSEMBLY

1. Remove the foil head assembly by pressing the release button located on the side of the shaver. Hold the foil head assembly on both sides and lightly pull it away from shaver unit.
2. Take the replacement foil head assembly (FXX3RF) out of package. Align the replacement foil head assembly over the cutters. Carefully move the replacement foil head assembly down towards the shaver unit until it firmly snaps into place. **BE CAREFUL NOT TO DAMAGE THE FOILS OR CUTTERS WHILE INSTALLING.**

TO REPLACE CUTTERS

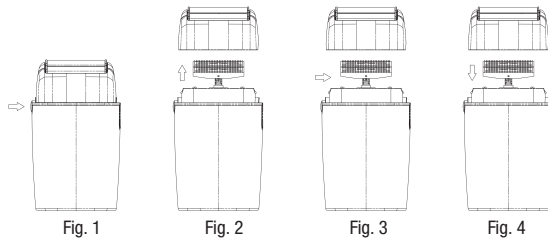
NOTE: Always replace the cutters and foil head assembly at the same time.

1. To remove cutters, place your fingers on each side and gently pull up and away from drive shaft.
2. To replace cutters, remove the new cutters (FXX3RF) from the packaging. Align cutter with the drive shaft and lightly push down until it snaps into place.
3. Replace the foil head assembly, turn shaver on to ensure it is working properly.



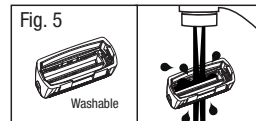
Daily Maintenance:

1. Press the release button on the side of shaver and remove the head assembly (see Fig. 1 & 2).
2. Use cleaning brush to whisk away any debris on and around cutters (see Fig. 3).
3. Snap the head assembly closed (see Fig. 4).



Weekly Maintenance:

1. Repeat steps 1 – 3 described in Daily Maintenance.
2. Rinse the head of the shaver under running water (see Fig. 5).
NEVER submerge the shaver in water.
3. Leave head open for drying.
4. Press the shaver head back into place (see Fig. 4 on previous page).



BATTERY REMOVAL

When your rechargeable shaver reaches the end of its useful life, the lithium ion battery must be removed from the shaver and be recycled or disposed of properly in accordance with your state and local requirements. If this is not required by law, you may elect to dispose of the shaver with the battery.

To remove the rechargeable battery:

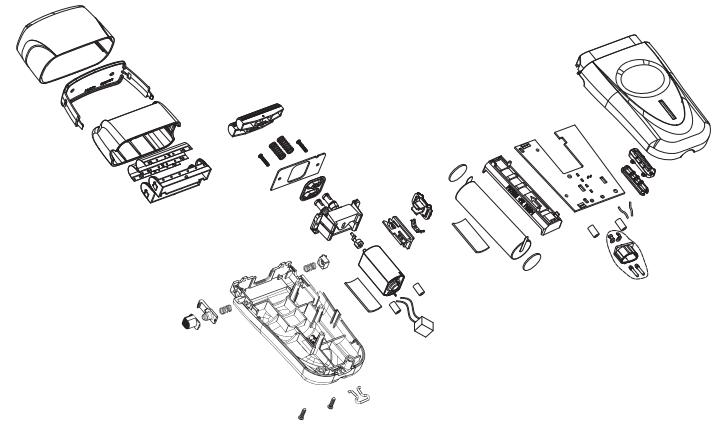
1. Unplug the shaver.

2. Run shaver until motor stops.
3. Remove foil head from shaver (press release button and pull head away from shaver body).
4. Remove cutters by pulling away from drive shafts.
5. Remove 2 screws from bottom housing. Remove 2 screws from metal plate under cutters.
6. Lightly pull the bottom housing away from the top housing.
7. Cut battery contact plate from PCB board.
8. Dispose of battery.

CONTAINS LITHIUM ION BATTERY. MUST BE COLLECTED, RECYCLED OR DISPOSED OF PROPERLY. DO NOT DISPOSE OF IN THE MUNICIPAL WASTE.



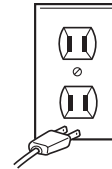
CAUTION: ALL RECHARGEABLE BATTERIES MUST BE RECYCLED OR DISPOSED OF IN ACCORDANCE WITH APPLICABLE STATE AND LOCAL REGULATIONS. DO NOT PUT IN FIRE OR MUTILATE, AS THE BATTERY MAY BURST OR RELEASE TOXIC MATERIALS. DO NOT SHORT-CIRCUIT, AS THIS MAY CAUSE BURNS.



CORD/CORDLESS DOUBLE FOIL SHAVER



**WARNING:
IF YOU THINK THE POWER
IS OFF WHEN THE SWITCH
IS OFF, YOU'RE WRONG.**



Everyone knows that electricity and water are a dangerous combination. But did you know that an electrical appliance is still electrically live even if the switch is off? If the plug is in, the power is on. So when you are not using appliances, keep them unplugged.

LIMITED 2-YEAR WARRANTY (U.S. ONLY)

BaBylissPRO will repair or replace (at our option) your unit free of charge for 24 months from the date of purchase if the appliance is defective in workmanship or materials.

To obtain service under this warranty, return the defective product to the service center listed, together with your purchase receipt. California residents need only provide proof of purchase and should call 1-800-326-6247 for shipping instructions. In the absence of a purchase receipt, the warranty period shall be 24 months from the date of manufacture.

ANY IMPLIED WARRANTIES, OBLIGATIONS, OR LIABILITIES, INCLUDING BUT NOT LIMITED TO THE IMPLIED WARRANTY OF MERCHANTABILITY AND FITNESS FOR A PARTICULAR PURPOSE, SHALL BE LIMITED IN DURATION TO THE 24-MONTH DURATION OF THIS WRITTEN, LIMITED WARRANTY. Some states do not allow limitations on how long an implied warranty lasts, so the above limitations may not apply to you.

IN NO EVENT SHALL BABYLISSPRO BE LIABLE FOR ANY SPECIAL, INCIDENTAL, OR CONSEQUENTIAL DAMAGES FOR BREACH OF THIS OR ANY OTHER WARRANTY, EXPRESSED OR IMPLIED, WHATSOEVER. Some states do not allow the exclusion or limitation of special, incidental, or consequential damages, so the above limitation may not apply to you.

This warranty gives you specific legal rights, and you may also have other rights, which vary from state to state.

Service Center

BaBylissPRO
Service Department
7475 N. Glen Harbor Blvd.
Glendale, AZ 85307
1-800-326-6247

©2021 BaBylissPRO
205 Shelhouse Drive
Rantoul, IL 61866
www.babylisspro.com
21FA078240

**IF YOU LIVE OUTSIDE CANADA,
PLEASE CONTACT YOUR LOCAL DISTRIBUTOR.**

CANADIAN TWO YEAR REPLACEMENT WARRANTY

Dannycopro Professional is the exclusive Canadian distributor of this product. We offer the following excellent warranty on your professional electrical appliance. Keep your sales slip. This is your proof of purchase and your guarantee. This guarantee is not valid in case of abuse, misuse, alterations or repairs done by unauthorized persons. Before returning your defective electrical product, please read the warranty conditions listed in this brochure.

Should your professional electrical appliance possess a manufacturer's defect, it may be exchanged by your distributor or Dannycopro Professional at no charge within TWO YEARS from date of purchase, if the electrical appliance is accompanied by a proof of purchase.

If you are sending your defective appliance, which is covered by this guarantee, directly to the Dannycopro Professional Service Center, it must be accompanied by the following:

- 1) your dated sales slip;
- 2) a precise description of the defect;
- 3) your complete return address and daytime phone number; and,
- 4) a \$10 money order for postage and handling.

Please return your defective appliance to:

**ATTN: Dannycopro Professional Service Center
CONAIR CONSUMER PRODUCTS ULC**

**100 Conair Parkway
Woodbridge, Ontario L4H 0L2**

This warranty applies only to residents of Canada. Products shipped from outside of Canada will not be processed and will not be returned to sender.

For questions regarding this product, you may call the Dannycopro Professional Service Center at: 1-800-363-0707, or email us at customerservice@dannycopro.com.

21FA078240

IB-17245

MEDIDAS DE SEGURIDAD IMPORTANTES

Al usar aparatos eléctricos, especialmente en presencia de niños, siempre debe tomar precauciones básicas de seguridad, entre ellas las siguientes:

LEA TODAS LAS INSTRUCCIONES ANTES DEL USO

MANTÉNGALO ALEJADO DEL AGUA

PELIGRO — Cualquier aparato enchufado permanece en tensión, aunque esté apagado. Para reducir el riesgo de electrocución o lesiones por descarga eléctrica:

1. **Siempre desenchufe el aparato inmediatamente después del uso (a menos que lo esté cargando).**
2. No coloque ni guarde el aparato donde pueda caerse o ser empujado a una bañera o un lavabo.
3. No lo use en el baño o la ducha.
4. No coloque el aparato ni lo deje caer al agua u otro líquido.
5. **Si el aparato se cae al agua, no trate de alcanzarlo; desenchúfelo inmediatamente.**
6. Desenchufe el aparato antes de limpiarlo.

ADVERTENCIA — Para reducir el riesgo de quemaduras, descarga eléctrica, incendio o lesiones personales:

1. Mantenga el aparato seco.
2. **Nunca descuide/deje el aparato sin vigilancia mientras está conectado, excepto durante la carga.**
3. Los niños o las personas que carezcan de la experiencia o de los conocimientos necesarios para manipular el aparato, o aquellas cuyas capacidades físicas, sensoriales o mentales estén limitadas, no deben usar el aparato sin la supervisión o la dirección de una persona responsable por su seguridad. No permita que los niños jueguen con este aparato.
4. Use este aparato únicamente con el propósito para el cual ha sido diseñado y solamente según las instrucciones. Solo use accesorios recomendados

- por el fabricante. No use un cable alargador/de extensión con este aparato.
5. **No use este aparato si el cable o el enchufe están dañados, si no funciona correctamente, si está dañado, o después de que se haya caído, incluso en el agua; devuélvalo a un centro de servicio autorizado para su revisión y reparación.**
 6. Mantenga el cable alejado de superficies calientes.
 7. No jale, retuerza ni enrolle el cable alrededor del aparato.
 8. Mantenga los orificios de ventilación libres de pelusas, cabellos y elementos similares.
 9. Nunca deje caer ni inserte ningún objeto en ninguna de las aberturas.
 10. No coloque el aparato sobre ninguna superficie durante el funcionamiento.
 11. No use este aparato con una hoja o cuchillas internas rotas o dañadas; esto puede provocar lesiones.
 12. No lo use en exteriores, ni lo haga funcionar donde se estén usando productos en aerosol (spray) o donde se esté administrando oxígeno.
 13. No machuque, incinere o exponga el aparato a temperaturas superiores a 212 °F (100 °C); esto puede presentar un riesgo de incendio, explosión o quemaduras.
 14. Siempre conecte el cable al aparato antes de enchufar el adaptador en la toma de corriente. Para desconectar, ponga todos los controles en la posición de apagado (“0”), y luego desenchufe el cable.
 15. Para recargar la batería, use solamente el cable de carga removible provisto con este aparato.

GUARDE ESTAS INSTRUCCIONES

INSTRUCCIONES DE OPERACIÓN

1. **Cargue el aparato por 3 horas continuas antes del primer uso. La batería recargable alcanzará su capacidad máxima después de 3 ciclos de carga/descarga.**
2. Compruebe que el aparato está apagado (“0”). Conecte el cable de carga al aparato. Enchufe el adaptador en una toma de corriente (compruebe el voltaje indicado en la etiqueta del adaptador antes de enchufarlo); la luz de carga se encenderá, lo que indica que el aparato se está cargando.

Una vez cargada la batería, el indicador de carga se apagará y se los 4 indicadores del nivel de carga se encenderán. Nota: La carga estará completa después de 3 horas.

3. Esta unidad cuenta con cuatro indicadores LED de nivel de carga que indican la capacidad de la batería recargable.
 - 4 indicadores azules indican que la batería está cargada al 100 %.
 - 3 indicadores azules indican que la batería está cargada al 75 %.
 - 2 indicadores azules indican que la batería está cargada al 50 %.
 - 1 indicador azul indica que la batería está cargada al 25 %.
4. Cuando la batería está a punto de agotarse, el último indicador del nivel de carga empieza a parpadear para indicar que quedan aprox. 10 minutos de uso inalámbrico.
5. Puede que el adaptador se caliente ligeramente durante la carga; esto es normal.
6. Consejo para alargar la vida de la batería: Para lograr un rendimiento óptimo y conservar la energía de la batería recargable, le recomendamos que cargue el aparato por 3 horas, aprox. cada 6 meses.
7. Compruebe que el interruptor está en “0” cuando no use el aparato.

ADVERTENCIA: Si las cuatro luces de nivel de carga empiezan a parpadear rápidamente de repente, esto significa que el aparato está defectuoso. En caso de que esto suceda, desenchufe el adaptador de la toma de corriente para interrumpir la carga y llame a nuestro servicio postventa para más información (ver la sección “Garantía”).

USO CON CABLE

Compruebe que el aparato está apagado. Conecte el cable directamente al aparato y enchufe el adaptador en una toma de corriente.

BOTÓN DE ENCENDIDO/APAGADO

Para encender la unidad, ponga el botón en “1”. Para apagar la unidad, ponga el botón en “0”.

MUY IMPORTANTE: Es imprescindible limpiar y lubricar regularmente las cuchillas internas para garantizar el buen funcionamiento del aparato. El incumplimiento de estas instrucciones invalidará la garantía.

INSTRUCCIONES DE USO BÁSICAS

1. Si su piel es sensible o se irrita fácilmente cuando se afeita, o si tiene alergia cutánea, pruebe el aparato en una pequeña sección del brazo o de la pierna antes de usar el aparato en el rostro.
2. Quite la cubierta protectora y encienda el aparato. Sostenga la afeitadora en un ángulo recto con el área que desea afeitar y deslice las hojas cuidadosamente contra la piel. Consejo: Por lo general, pasar la afeitadora en dirección contraria al crecimiento del vello es la manera más eficaz de afeitarse. Para conseguir resultados óptimos, estire la piel en las zonas de difícil acceso.
3. Después del uso, apague el aparato y límpielo.
4. No presione mucho la afeitadora contra la piel; esto puede causar irritaciones, recalentar la unidad y perjudicar la calidad del afeitado.
5. Tenga presente que su piel necesita 2 a 4 semanas para acostumbrarse a una nueva afeitadora. Por lo tanto, no cambie de instrumento de afeitado durante este período.
6. Si los vellos miden más de 1/32 in. (1 mm), recórtelos con una recortadora antes de afeitarlos; obtendrá así una afeitada suave al ras.

AVISO DE LA COMISIÓN FEDERAL DE COMUNICACIONES (FCC)

ADVERTENCIA: Se advierte que las modificaciones no aprobadas expresamente por la autoridad competente en materia de conformidad podrían rescindir el permiso del usuario para operar el equipo.

NOTA: Este equipo ha sido probado y se ha determinado que cumple con los límites de un dispositivo digital de Clase B, según la Sección 15 de la Normativa FCC. Estos límites están diseñados para proporcionar una protección razonable contra las interferencias perjudiciales en una instalación residencial. Este equipo genera, usa y puede irradiar energía de radiofrecuencia (RF) y, si no ha sido instalado o usado conforme a las instrucciones, puede

ocasionar interferencias perjudiciales para las comunicaciones por radio. No obstante, no hay garantía de que aquellas interferencias no ocurran en una instalación particular. Si este equipo produce alguna interferencia perjudicial en la recepción de radio o televisión, lo que podrá determinarse encendiendo y apagando el equipo, se recomienda tratar de corregir la interferencia, adoptando una o más de las siguientes medidas:

- Reorientar o reubicar la antena receptora.
- Aumentar la distancia entre el equipo y el receptor.
- Conectar el equipo a un circuito distinto al que esté conectado el receptor.
- Consultar con el distribuidor o un técnico especializado en radio/TV.

DECLARACIÓN DE CONFORMIDAD DEL PROVEEDOR

Marca: BaBylissPRO®

Modelo: FXX3S

Descripción: Afeitadora

Parte responsable: Conair Corporation,
1 Cummings Point Road
Stamford, CT 06902
(203) 351-9000

Normas: Normas de la FCC, Sección 15, subsección B, ANSI C63.4-2014

Este artefacto cumple con la Sección 15 de la Normativa FCC. Su funcionamiento está sujeto a las dos condiciones siguientes:

(1) Este artefacto no debe causar ninguna interferencia perjudicial, y (2) Este artefacto debe aceptar cualquier interferencia recibida, incluso aquellas que puedan causar un funcionamiento no deseado.

FECHA DE PUBLICACIÓN: 01/27/2021

INSTRUCCIONES DE MANTENIMIENTO

MANTENIMIENTO DE SU AFEITADORA

¡Siempre apague la unidad antes de retirar el cabezal de afeitado!

Para evitar el riesgo de descarga eléctrica, asegúrese de que no penetre ningún líquido en la carcasa.

No presione las cuchillas ni las hojas. Tampoco las toque con objetos duros; esto puede causar daños irreparables a la unidad o a sus piezas.

Las cuchillas son muy afiladas; manéjelas con mucho cuidado, ya que pueden causar lesiones. No use detergentes, limpiadores abrasivos ni objetos abrasivos o duros para limpiar la unidad; esto puede causar daños irreparables a la unidad.

NOTA: Compruebe que el aparato está apagado antes de limpiarlo.

¡PRECAUCIÓN!

- NO moje la unidad ni las cuchillas internas. Use solamente el pequeño cepillo de limpieza provisto para limpiar.
- Limpie la carcasa con un paño ligeramente humedecido. No use detergentes fuertes ni productos químicos.
- Seque la carcasa con un paño seco. No use un secador ni otro aparato calentador para secar el aparato.
- Compruebe que la unidad está completamente seca antes de volverla a usar.
- Puede que sea necesario usar un adaptador de viaje (no incluido) para conectar el aparato fuera de los EE.UU. y del Canadá. El adaptador provisto se ajusta automáticamente al voltaje adecuado. **NO USE ESTE APARATO CON UN CONVERTIDOR DE VOLTAJE.**

CAMBIO DEL CABEZAL DE AFEITADO

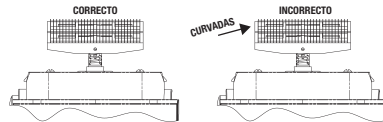
1. Presione el botón de liberación situado en el costado de la unidad para liberar el cabezal de afeitado. Sostenga el cabezal de afeitado por los costados y jale suavemente hacia arriba para retirarlo de la unidad.
2. Saque el cabezal de afeitado de repuesto (modelo FXX3RF) de su paquete. Haga coincidir el cabezal de afeitado de repuesto con las cuchillas internas.

Con cuidado, coloque el cabezal de afeitado de repuesto sobre la unidad, presionando hasta que encaje. **TENGA CUIDADO DE NO DAÑAR LAS HOJAS O LAS CUCHILLAS INTERNAS DURANTE LA INSTALACIÓN.**

CAMBIO DE LAS CUCHILLAS INTERNAS

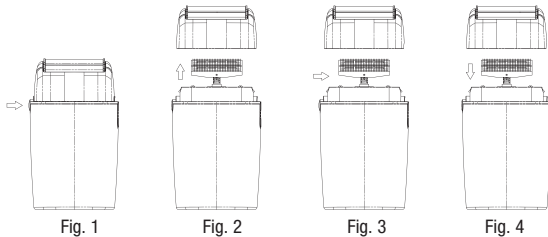
NOTA: Siempre cambie el cabezal de afeitado y las cuchillas internas al mismo tiempo.

1. Para sacar las cuchillas internas, sosténgalas por ambas extremidades y jale suavemente hacia arriba para retirarlas del árbol de accionamiento.
2. Saque las cuchillas internas de repuesto (modelo FXX3RF) de su embalaje. Haga coincidir las cuchillas de repuesto con el árbol de accionamiento y presione suavemente hasta que encajen.
3. Vuelva a colocar el cabezal de afeitado en su sitio y encienda la afeitadora para comprobar que funciona correctamente.



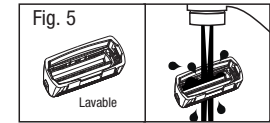
Mantenimiento diario:

1. Presione el botón de liberación en el costado de la unidad para retirar el cabezal de afeitado (Fig. 1 y 2).
2. Limpie los residuos en y alrededor de las cuchillas internas con el cepillo de limpieza (Fig. 3).
3. Vuelva a instalar el cabezal (Fig. 4).



Mantenimiento semanal:

1. Repita los pasos 1 a 3 de la sección "Mantenimiento diario".
2. Enjuague el cabezal de afeitado bajo agua corriente (Fig. 5).
NUNCA sumerja la unidad en agua.
3. Deje el cabezal de afeitado abierto para que se seque.
4. Vuelva a instalar el cabezal de afeitado (Fig. 4).



REMOCIÓN DE LA BATERÍA

Al final de la vida útil del aparato, la batería recargable que contiene debe sacarse y reciclarse o tirarse según las regulaciones locales y estatales. Nota: Si la ley no requiere reciclar/tirar las baterías por separado, puede reciclar/tirar el aparato junto con ellas.

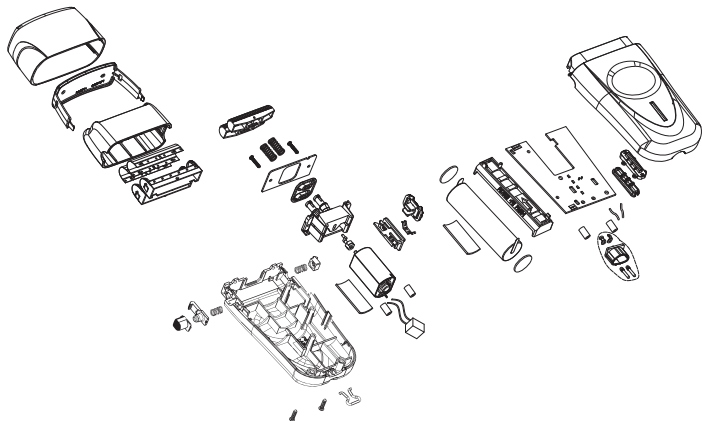
Para sacar la batería recargable:

1. Desenchufe la unidad.
2. Haga funcionar la unidad hasta que el motor se apague.
3. Quite el cabezal de afeitado, presionando el botón de liberación y jalando el cabezal hacia arriba.
4. Saque las cuchillas internas, jalándolas hacia arriba para liberarlas de los ejes de accionamiento.
5. Quite los dos tornillos situados debajo de la carcasa. Saque los dos tornillos de la placa metálica situada debajo de las cuchillas internas.
6. Jale suavemente la parte inferior de la carcasa para separarla de la parte superior.
7. Corte el alambre que conecta la batería al circuito impreso.
8. Recicle la batería.

ESTE APARATO CONTIENE UNA BATERÍA RECARGABLE DE IONES DE LITIO, LA CUAL DEBE RECICLARSE SEGÚN LAS LEYES VIGENTES. NO LA TIRE CON EL RESTO DE LA BASURA.



PRECAUCIÓN: TODAS LAS BATERÍAS RECARGABLES DEBEN SER RECICLADAS O TIRADAS DE ACUERDO CON LAS REGULACIONES ESTATALES Y LOCALES. NO INCINERE NI ESTROPEE LAS BATERÍAS YA QUE PUEDEN EXPLOTAR O DESPEDIR MATERIALES TÓXICOS. NO PROVOQUE UN CORTOCIRCUITO EN LOS TERMINALES DE LAS BATERÍAS YA QUE ESTO PUEDE PROVOCAR QUEMADURAS.

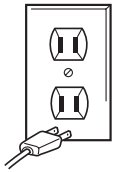


AFEITADORA DE DOBLE HOJA CON/SIN CABLE



FUENTE DE ALIMENTACIÓN
(ADAPTADOR) DE CLASE 2
ADAPTADOR CA 78M
MODELO: C045120-A
ENTRADA: 100-240 V~
50/60 Hz, 0.2 A
SALIDA: 4.5 V DC, 1200 mA

ADVERTENCIA: SI CREE QUE NO HAY CORRIENTE CUANDO EL APARATO ESTÁ APAGADO, ESTÁ EQUIVOCADO.



Todos sabemos que no se debe mezclar la electricidad y el agua. Pero ¿Sabe usted que un aparato eléctrico permanece en tensión, aunque esté apagado? Si está conectado, hay corriente. Por lo tanto, siempre desenchufe los aparatos eléctricos después del uso.

GARANTÍA LIMITADA DE 2 AÑOS (VÁLIDA EN LOS EE.UU. SOLAMENTE)

BabylissPro reparará o reemplazará (a su opción) este producto sin cargo por un período de 24 meses a partir de la fecha de compra si presenta defectos de fabricación o materiales.

Para obtener servicio técnico bajo esta garantía, devuelva el producto defectuoso al Centro de Servicio indicado a continuación, junto con su recibo de compra. Los residentes de California solo necesitan dar una prueba de compra y deben llamar al 1-800-326-6247 para recibir instrucciones de envío. En ausencia del recibo de compra, el período de garantía será de 24 meses a partir de la fecha de fabricación.

CUALQUIER GARANTÍA, OBLIGACIÓN O RESPONSABILIDAD IMPLÍCITAS, INCLUYENDO, PERO NO LIMITADAS A LA GARANTÍA IMPLÍCITA DE COMERCIABILIDAD Y APTITUD PARA UN PROPÓSITO ESPECÍFICO, ESTARÁN LIMITADAS POR LOS 24 MESES DE LA PRESENTE GARANTÍA ESCRITA.

Algunos Estados no permiten limitaciones en la duración de una garantía implícita, de modo que las limitaciones mencionadas pueden no regir para usted.

BABYLISSPRO NO SERÁ RESPONSABLE, EN NINGÚN CASO, POR NINGÚN DAÑO ESPECIAL, INCIDENTAL O CONSECUENTE DEBIDO AL INCUMPLIMIENTO DE ESTA O CUALQUIER OTRA GARANTÍA, EXPRESA O IMPLÍCITA. Algunos Estados no permiten la exclusión o limitación de daños especiales, incidentales o consecuentes, de modo que las limitaciones mencionadas pueden no regir para usted.

Esta garantía le otorga derechos legales específicos y usted puede tener otros derechos que varían de un Estado a otro.

Centro de servicio

BaBylissPRO
Service Department
7475 N. Glen Harbor Blvd.
Glendale, AZ 85307
1-800-326-6247

©2021 BaBylissPRO
205 Shelhouse Drive
Rantoul, IL 61866
www.babylisspro.com
21FA078240

SI USTED VIVE FUERA DE CANADÁ, PÓNGASE
EN CONTACTO CON SU DISTRIBUIDOR LOCAL.

GARANTÍA DE REEMPLAZO DE DOS AÑOS (VÁLIDA EN CÁNA DA)

Dannycos Professional es el distribuidor exclusivo de este producto en Canadá. Ofrecemos la siguiente garantía para este aparato profesional. Guarde su recibo de compra; es su prueba de compra y su garantía. La garantía siguiente no es válida en caso de abuso, mal uso, alteraciones o reparaciones hechas por personas no autorizadas. Antes de devolver el producto defectuoso, por favor, lea las condiciones de garantía que figuran en este folleto.

Si este producto resulta ser defectuoso dentro los DOS AÑOS siguiendo la fecha de compra, será reemplazado sin cargo por su distribuidor o por Dannycos Professional, siempre que usted tenga una prueba de compra.

Devuelva el producto defectuoso al centro de servicio a continuación, junto con lo siguiente:

- 1) El recibo de compra con fecha;
- 2) La descripción exacta del problema;
- 3) Su dirección completa y número de teléfono de día; y
- 4) Un giro postal de \$10 para los gastos de envío y manejo.

Por favor devuelva el producto defectuoso a:

ATT.: Dannycos Professional Service Center
CONAIR CONSUMER PRODUCTS ULC
100 Conair Parkway
Woodbridge, Ontario L4H 0L2

Esta garantía solamente es válida para los residentes del Canadá. Productos enviados desde fuera del Canadá no serán procesados y no serán devueltos al remitente.

Si tiene preguntas, llame al centro de servicio de Dannycos Professional al: 1-800-363-0707, o envíe un correo electrónico a customerservice@dannycos.com.

21FA078240

IB-17245

IMPORTANTES CONSIGNES DE SÉCURITÉ

L'utilisation d'appareils électriques, notamment en présence d'enfants, requiert la prise de précautions élémentaires, parmi lesquelles les suivantes :

LIRE TOUTES LES INSTRUCTIONS AVANT L'UTILISATION TENIR LOIN DE L'EAU

DANGER — Un appareil électrique est toujours sous tension lorsqu'il est branché, même lorsqu'il est éteint. Pour réduire le risque de blessures ou de mort par électrocution :

1. **Débrancher l'appareil immédiatement après usage, à moins que vous ne souhaitiez le recharger.**
2. Ne pas placer ou ranger l'appareil dans un endroit où il peut tomber ou être entraîné dans une baignoire ou un lavabo.
3. Ne pas utiliser dans le bain ou sous la douche.
4. Ne pas placer l'appareil ou le laisser tomber dans l'eau ou tout autre liquide.
5. **Si l'appareil tombe à l'eau, ne pas tenter de rattraper ; le débrancher immédiatement.**
6. Débrancher l'appareil avant de le nettoyer.

AVERTISSEMENT — Afin de réduire le risque de brûlures, de choc électrique, d'incendie ou de blessures :

1. Garder l'appareil au sec.
2. **Une fois branché, ne jamais laisser l'appareil sans surveillance, sauf pendant le chargement.**
3. Cet appareil ne devrait pas être utilisé par des enfants ou des personnes atteintes de certains handicaps physiques, mentaux ou sensoriels, ou qui ne disposent pas des connaissances ou de l'expérience nécessaires, à moins qu'une personne responsable de leur sécurité leur en ait expliqué le fonctionnement ou les encadre. Veiller à ce que les enfants ne jouent pas avec l'appareil.

4. Utiliser cet appareil uniquement aux fins indiquées dans ce manuel. Utiliser uniquement les accessoires recommandés par le fabricant. Ne pas utiliser l'appareil avec une rallonge électrique.
5. **Ne pas utiliser l'appareil si le cordon d'alimentation ou la fiche sont endommagés, s'il ne fonctionne pas correctement, s'il est abîmé ou après qu'il est tombé ou tombé à l'eau ; le retourner à un centre de service autorisé afin qu'il soit inspecté et réparé.**
6. Tenir le cordon éloigné des surfaces chaudes.
7. Ne pas tirer, tordre ou enrouler le cordon d'alimentation autour de l'appareil.
8. Vérifier que les orifices de ventilation ne sont pas obstrués par des peluches, cheveux ou autres saletés.
9. Ne jamais rien insérer ou laisser tomber dans les ouvertures.
10. Ne poser l'appareil sur aucune surface pendant le fonctionnement.
11. Afin d'éviter les risques de blessures, ne pas utiliser l'appareil si la lame ou les lames internes sont endommagées.
12. Ne pas utiliser à l'extérieur ou dans des endroits où l'on utilise des produits aérosols (spray) ou où l'on administre de l'oxygène.
13. Ne pas écraser, incinérer ou exposer l'appareil à une température supérieure à 212 °F (100 °C) ; cela présente un risque d'incendie, d'explosion ou de brûlures.
14. Toujours connecter le cordon électrique à l'appareil avant de le brancher dans la prise de courant. Pour déconnecter, mettre tous les contrôles sur "0", puis débrancher le cordon de la prise de courant.
15. N'utiliser que le cordon amovible inclus pour recharger l'appareil.

CONSERVER CES INSTRUCTIONS

DIRECTIVES D'UTILISATION

1. **Charger l'appareil pendant 3 heures, sans interruption, avant la première utilisation. La batterie rechargeable n'atteindra sa capacité maximale qu'après 3 cycles de charge/décharge.**

2. Vérifier que l'appareil est éteint ("0"). Connecter la prise de charge de l'adaptateur au rasoir. Brancher l'adaptateur dans une prise de courant (vérifier la tension indiquée sur l'étiquette de l'adaptateur avant de le brancher) ; l'indicateur de charge s'allumera pour indiquer que la charge a commencé. Une fois la batterie entièrement chargée, l'indicateur de charge s'éteindra et les 4 indicateurs du niveau de charge s'allumeront. Remarque : La charge sera complète au bout de 3 heures.
3. Cet appareil est doté de quatre indicateurs LED de niveau de charge indiquant la capacité de la batterie rechargeable.
 - 4 indicateurs bleus indiquent que la batterie chargée à 100 %.
 - 3 indicateurs bleus indiquent que la batterie chargée à 75 %.
 - 2 indicateurs bleus indiquent que la batterie chargée à 50 %.
 - 1 indicateur bleu indique que la batterie chargée à 25 %.
4. Lorsque l'appareil est sur le point d'épuiser sa charge, le dernier indicateur de niveau de charge se met à clignoter pour indiquer qu'il reste environ 10 minutes d'utilisation sans fil.
5. Il se peut que l'adaptateur chauffe légèrement pendant la charge ; cela est normal.
6. Conseil pour prolonger la durée de vie de la batterie : Afin d'optimiser la durée de vie de la batterie rechargeable, il est conseillé de recharger l'appareil pendant 3 heures, environ tous les six mois.
7. Vérifier que l'interrupteur est sur "0" lorsque vous n'utilisez pas l'appareil.

AVERTISSEMENT : Si les quatre indicateurs de niveau de charge se mettent soudainement à clignoter rapidement, cela signifie que l'appareil est défectueux. Si cela se produisait, débrancher l'adaptateur de la prise de courant pour interrompre la charge et contacter notre service après-vente pour plus d'informations (voir la section "GARANTIE").

UTILISATION SUR SECTEUR

Vérifier que l'appareil est éteint. Connecter le cordon directement à l'appareil et brancher l'adaptateur secteur dans une prise de courant.

BOUTON MARCHE/ARRÊT

Pour mettre en marche, mettre l'interrupteur sur "I". Pour éteindre, mettre l'interrupteur sur "0".

TRÈS IMPORTANT : Il est essentiel de nettoyer et lubrifier les lames internes régulièrement afin d'assurer le bon fonctionnement de l'appareil. Le non-respect de ces instructions annulera la garantie.

INSTRUCTIONS D'UTILISATION DE BASE

1. Si votre peau est sensible ou s'irrite facilement quand vous vous rasez, ou si vous souffrez d'une allergie cutanée, faire un essai préalable sur une petite partie du bras ou de la jambe avant d'utiliser l'appareil sur le visage.
2. Retirer le couvercle de protection et allumer l'appareil. Tenir le rasoir en angle droit par rapport à la zone que vous souhaitez raser et faire glisser les lames doucement contre la peau. Conseil : En règle générale, raser les poils dans le sens contraire de la pousse est la méthode de rasage la plus efficace. Pour de meilleurs résultats, étirer la peau dans les zones difficiles d'accès.
3. Après l'utilisation, éteindre l'appareil et le nettoyer.
4. Ne pas trop appuyer contre la peau pendant le rasage ; cela peut provoquer des irritations, faire surchauffer l'appareil et nuire à la qualité du rasage.
5. Votre peau a besoin de 2 à 4 semaines pour s'habituer à un nouveau rasoir ; ne pas changer de rasoir pendant cette période.
6. Si les poils mesurent plus de 1/32 po (1 mm), il est conseillé de les couper à la tondeuse avant de les raser ; vous obtiendrez ainsi un rasage au plus près.

DÉCLARATION DE LA COMMISSION FÉDÉRALE DE COMMUNICATIONS (FCC)

AVERTISSEMENT : Toute modification apportée à cet appareil sans l'approbation expresse de l'autorité compétente en matière de conformité pourrait résilier le droit de l'utilisateur d'utiliser l'appareil.

REMARQUE : Cet appareil a été testé et s'est avéré conforme aux limites s'appliquant aux appareils numériques de classe B, conformément aux dispositions de la section 15 des normes de la FCC. Ces limites sont conçues pour offrir une protection raisonnable contre les interférences nuisibles dans une installation résidentielle. Cet appareil produit, utilise et peut émettre de l'énergie radiofréquence (RF). S'il n'est pas installé et utilisé conformément aux instructions, il peut provoquer des interférences nuisibles aux communications radio. Cependant, il n'y a aucune garantie que des interférences ne se produiront pas dans une installation particulière. Si cet appareil cause des

interférences nuisant au fonctionnement d'un équipement radio ou d'un téléviseur (ce qui peut être déterminé en allumant, puis en éteignant l'appareil), nous vous encourageons à essayer de corriger l'interférence en mettant en œuvre une ou plusieurs des mesures suivantes :

- Réorienter l'antenne réceptrice ou la changer de place.
- Éloigner l'appareil du poste récepteur.
- Brancher l'appareil sur un circuit différent de celui sur lequel est branché le poste récepteur.
- Contacter le distributeur ou un technicien radio/TV.

DÉCLARATION DE CONFORMITÉ DU FOURNISSEUR

Marque : BaBylissPRO®

Modèle : FXX3S

Description : Rasoir électrique

Partie responsable : Conair Corporation,
1 Cummings Point Road
Stamford, CT 06902
(203) 351-9000

Normes : Normes de la FCC, Section 15, sous-section B, ANSI C63.4-2014

Cet appareil est conforme à la section 15 des normes de la FCC. Son fonctionnement est sujet à deux conditions :

1) Cet appareil ne doit pas causer d'interférences nuisibles et (2) cet appareil doit accepter les interférences reçues, y compris celles qui pourraient provoquer un fonctionnement indésirable.

DATE DE PUBLICATION : 01/27/2021

DIRECTIVES D'ENTRETIEN

ENTRETIEN DE VOTRE RASOIR

Toujours éteindre l'appareil avant de retirer la tête de rasage !

Pour éviter risques de choc électrique, veiller à ce qu'aucun liquide ne pénètre à l'intérieur du boîtier.

Ne jamais appuyer sur les lames ou les lames internes, et ne pas les toucher avec des objets durs ; cela peut causer des dommages irréparables à l'appareil ou à ses pièces.

Prendre garde de ne pas toucher les lames, car elles sont très aiguisées et peuvent provoquer des blessures !. Ne pas utiliser de détergents, produits abrasifs ou objets abrasifs pour nettoyer l'appareil ; cela peut causer des dommages irréparables au rasoir.

REMARQUE : Vérifier que l'appareil est éteint avant de le nettoyer.

MISE EN GARDE !

- NE PAS mouiller l'appareil ou les lames internes. Utiliser uniquement la petite brosse de nettoyage incluse pour nettoyer.
- Nettoyer le boîtier à l'aide d'un linge légèrement humide. Ne pas utiliser de détergents forts ou autres produits chimiques.
- Pour sécher, essuyer le boîtier avec un linge sec. Ne pas sécher le rasoir à l'aide d'un sèche-linge ou autre appareil chauffant.
- Vérifier que l'appareil est bien sec avant de l'utiliser.
- Il se peut qu'un adaptateur de voyage (non inclus) soit nécessaire pour utiliser l'appareil à l'extérieur des É.-U. et du Canada. L'adaptateur fourni s'adapte automatiquement à la tension secteur. **NE PAS UTILISER L'APPAREIL AVEC UN CONVERTISSEUR DE TENSION.**

REPLACEMENT DE LA TÊTE DE RASAGE

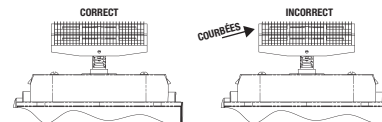
1. Appuyer sur le bouton de libération situé sur le côté du rasoir pour libérer la tête de rasage. Tenir la tête de rasage par les côtés et tirer doucement vers le haut pour la retirer.
2. Sortir la tête de rasage de rechange (modèle FXX3RF) de son emballage. Aligner la nouvelle tête de rasage avec les lames internes. Installer prudemment la nouvelle tête de rasage sur le boîtier, en appuyant jusqu'à ce

qu'elle s'enclenche. **FAIRE ATTENTION DE NE PAS ABÎMER LES LAMES OU LES LAMES INTERNES PENDANT L'INSTALLATION.**

REPLACEMENT DES LAMES INTERNES

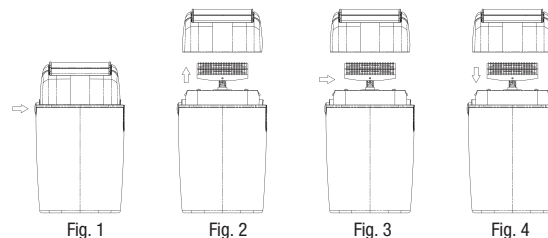
REMARQUE : Toujours remplacer la tête de rasage et les lames internes en même temps.

1. Pour retirer les lames internes, les tenir par les côtés et soulever.
2. Sortir les lames internes de rechange (modèle FXX3RF) de leur emballage. Aligner les lames internes avec l'arbre d'entraînement et appuyer jusqu'à ce qu'elles s'enclenchent.
3. Remettre la tête de rasage en place et allumer l'appareil pour vérifier qu'il fonctionne correctement.



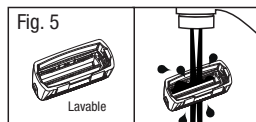
Entretien quotidien :

1. Appuyer sur le bouton de libération situé sur le côté de l'appareil pour retirer la tête de rasage (Fig. 1 et 2).
2. Utiliser la brosse de nettoyage pour éliminer les résidus sur et autour des lames (Fig. 3).
3. Remettre la tête de rasage en place (Fig. 4).



Entretien hebdomadaire :

1. Suivre les étapes 1 à 3 de l'entretien quotidien.
2. Rincer la tête de rasage sous l'eau du robinet (Fig. 5).
NE JAMAIS submerger l'appareil dans l'eau.
3. Laisser la tête de rasage ouverte pour qu'elle sèche.
4. Remettre la tête de rasage en place (Fig. 4).



RETRAIT DE LA BATTERIE

En fin de vie de l'appareil, la batterie lithium-ion rechargeable doit être retirée et recyclée conformément aux règlements locaux et régionaux en vigueur. Si la loi ne l'exige pas, vous pouvez, si vous le souhaitez, jeter la batterie et le rasoir ensemble.

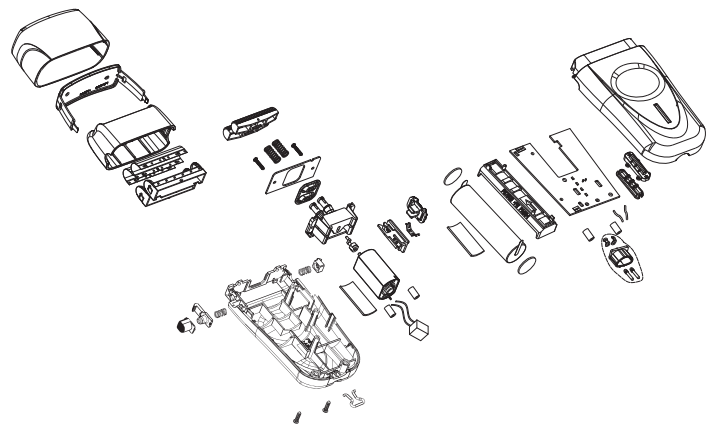
Retrait de la batterie rechargeable :

1. Débrancher l'appareil.
2. Faire fonctionner l'appareil jusqu'à ce que le moteur s'arrête.
3. Retirer la tête de rasage en appuyant sur le bouton de libération et en tirant sur la tête de rasage pour la dégager du boîtier.
4. Retirer les lames internes, en tirant pour les dégager des arbres d'entraînement.
5. Retirer les deux vis en bas du boîtier. Retirer les deux vis de la plaque en métal qui se trouve sous les lames internes.
6. Tirer légèrement sur la partie inférieure du boîtier pour la séparer de la partie supérieure.
7. Couper les fils qui connectent la batterie au circuit imprimé.
8. Recycler la batterie.

CET APPAREIL RENFERME UNE BATTERIE LITHIUM-ION RECHARGEABLE, À RECYCLER SELON LES NORMES EN VIGUEUR. NE PAS JETER AVEC LES ORDURES MÉNAGÈRES.



MISE EN GARDE : TOUTES LES PILES/BATERIES RECHARGEABLES DOIVENT ÊTRE RECYCLÉES OU MISES AU REBUT CONFORMÉMENT AUX RÈGLEMENTS LOCAUX ET RÉGIONAUX EN VIGUEUR. NE PAS INCINÉRER OU MUTILER LES PILES/BATERIES, CAR ELLES POURRAIENT ÉCLATER OU LIBÉRER DES MATIÈRES TOXIQUES. NE PAS LES COURT-CIRCUITER, CAR CELA POURRAIT PROVOQUER DES BRÛLURES.

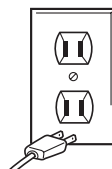


RASOIR DOUBLE LAME AVEC/SANS FIL



SOURCE D'ALIMENTATION
(ADAPTATEUR) DE CLASSE 2
ADAPTATEUR CA 78M
MODÈLE : C045120-A
ENTRÉE : 100-240 V~
50/60 Hz ; 0,2 A
SORTIE : 4,5 V C.C. ; 1200 mA

AVERTISSEMENT :
SI VOUS PENSEZ QUE LE
COURANT EST COUPÉ PARCE
QUE L'APPAREIL EST ÉTEINT,
VOUS VOUS TROMPEZ.



Tout le monde sait que l'eau et l'électricité ne font pas bon ménage, mais saviez-vous qu'un appareil est toujours sous tension, même lorsqu'il est éteint? S'il est branché, il est sous tension. Alors, si vous n'utilisez pas l'appareil, débranchez-le.

GARANTIE LIMITÉE DE 2 ANS **(VALABLE AUX É.-U. UNIQUEMENT)**

BabylissPro réparera ou remplacera (à sa discrétion) ce produit sans frais, si au cours des 24 mois suivant la date d'achat, il affiche un vice de matière ou de fabrication.

Pour un service au titre de la garantie, retourner le produit défectueux au service après-vente, accompagné du reçu de caisse. Les résidents de la Californie devront produire une preuve d'achat et appeler le 1-800-326-6247 pour obtenir des directives d'envoi. En l'absence du reçu de caisse, la période de garantie sera de 24 mois à compter de la date de fabrication.

TOUTE GARANTIE, OBLIGATION OU RESPONSABILITÉ IMPLICITE, Y COMPRIS, MAIS SANS Y ÊTRE LIMITÉE, LA GARANTIE IMPLICITE DE QUALITÉ MARCHANDE ET D'APTITUDE À PRODUIRE UNE TÂCHE PARTICULIÈRE, SERA LIMITÉE À LA PÉRIODE DE 24 MOIS DE CETTE GARANTIE ÉCRITE. Certains États ne permettent pas la limite de durée d'une garantie implicite ; cette limite peut donc ne pas s'appliquer dans votre cas.

BABYLISSPRO NE POURRA ÊTRE TENU RESPONSABLE DE QUELQUE DOMMAGE PARTICULIER, CONSÉCUTIF OU INDIRECT, QUE CE SOIT POUR BRIS DE CETTE GARANTIE OU DE TOUT AUTRE, EXPRESSE OU IMPLICITE.

Certains États ne permettent pas l'exclusion ni la limitation des dommages particuliers, indirects ou consécutifs ; les limites précédentes peuvent donc ne pas s'appliquer dans votre cas.

Cette garantie vous accorde des droits particuliers et vous pouvez également bénéficier d'autres droits qui varient d'un État à l'autre.

Service après-vente

BaBylissPRO
Service Department
7475 N. Glen Harbor Blvd.
Glendale, AZ 85307
1-800-326-6247

©2021 BaBylissPRO
205 Shelhouse Drive
Rantoul, IL 61866
www.babylisspro.com
21FA078240

SI VOUS NE RÉSIDEZ PAS AU CANADA, VEUILLEZ CONTACTER VOTRE DISTRIBUTEUR LOCAL.

**GARANTIE DE REMPLACEMENT DE DEUX ANS
(VALABLE AU CANADA)**

Dannycopro Professional est le distributeur exclusif de cet appareil au Canada. Nous offrons la garantie suivante sur cet appareil professionnel. Conservez votre reçu de caisse. C'est votre preuve d'achat et votre garantie. Cette garantie n'est pas valable si des personnes non autorisées ont fait un mauvais usage de l'appareil ou ont tenté de le modifier ou de le réparer. Merci de lire les conditions de garantie suivantes avant de nous retourner l'appareil défectueux.

Si votre appareil présente un défaut de fabrication dans les DEUX ANS suivant la date d'achat, vous pouvez l'échanger sans frais, sous présentation d'une preuve d'achat.

Pour un service au titre de cette garantie, retourner l'appareil défectueux au service après-vente de Dannycopro Professional, accompagné de :

- 1) Votre reçu de caisse daté ;
- 2) Une description précise du problème/défaut ;
- 3) Votre adresse complète et votre numéro de téléphone (pendant la journée) ; et
- 4) un mandat de \$10 pour couvrir les frais de port et de manutention.

Veillez retourner l'appareil défectueux à :

**ATTN : Dannycopro Professional Service Center
CONAIR CONSUMER PRODUCTS ULC
100 Conair Parkway
Woodbridge, Ontario L4H 0L2**

Cette garantie s'applique uniquement aux résidents du Canada. Les produits expédiés depuis l'extérieur du Canada ne seront pas réparés et ne seront pas renvoyés à l'expéditeur.

Si vous avez des questions concernant ce produit, appelez le service à la clientèle de Dannycopro Professional au: 1-800-363-0707, ou envoyez un courriel à customerservice@dannycopro.com.

21FA078240

IB-17245